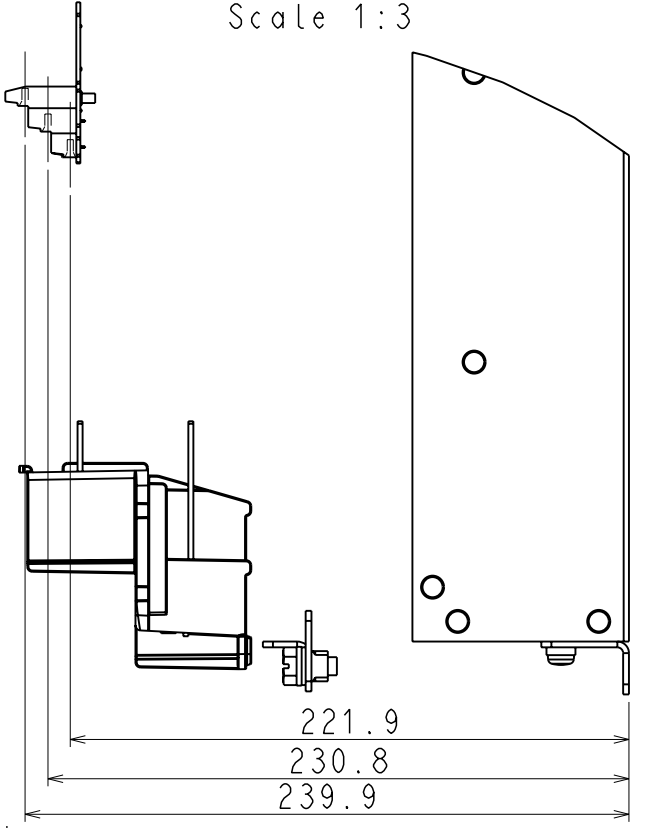
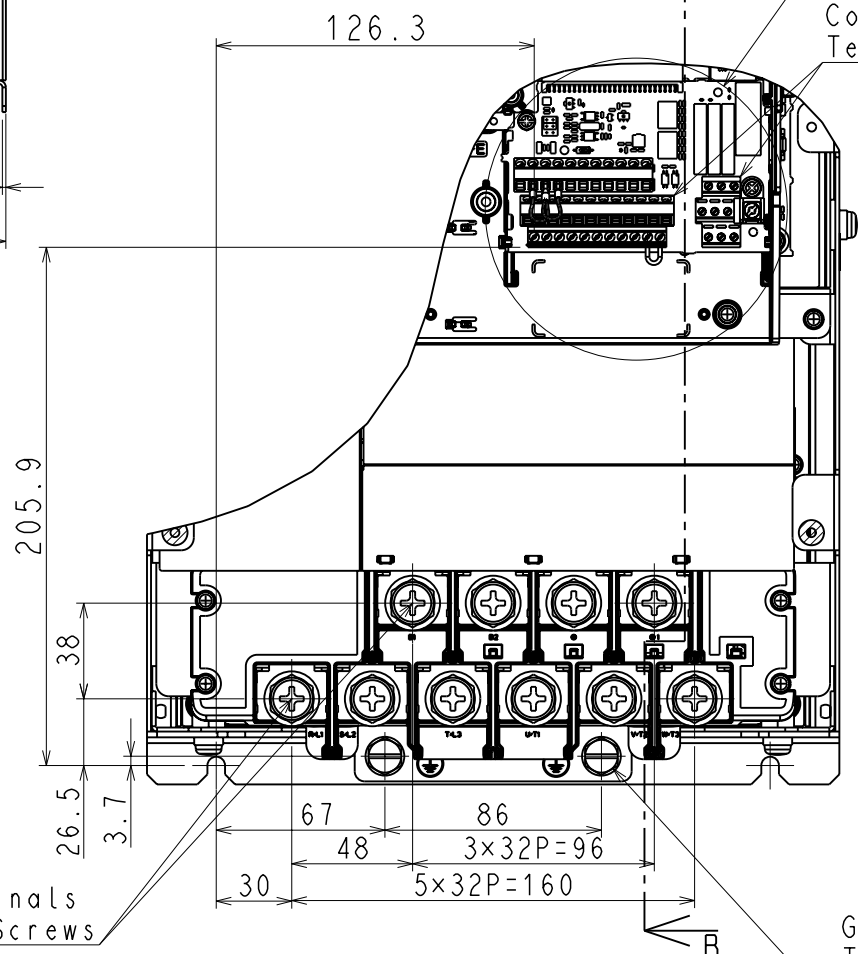
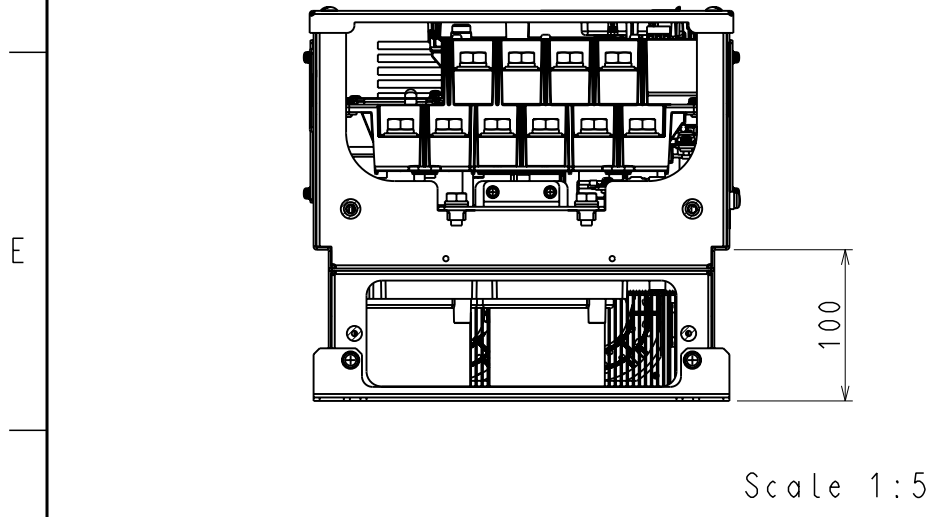
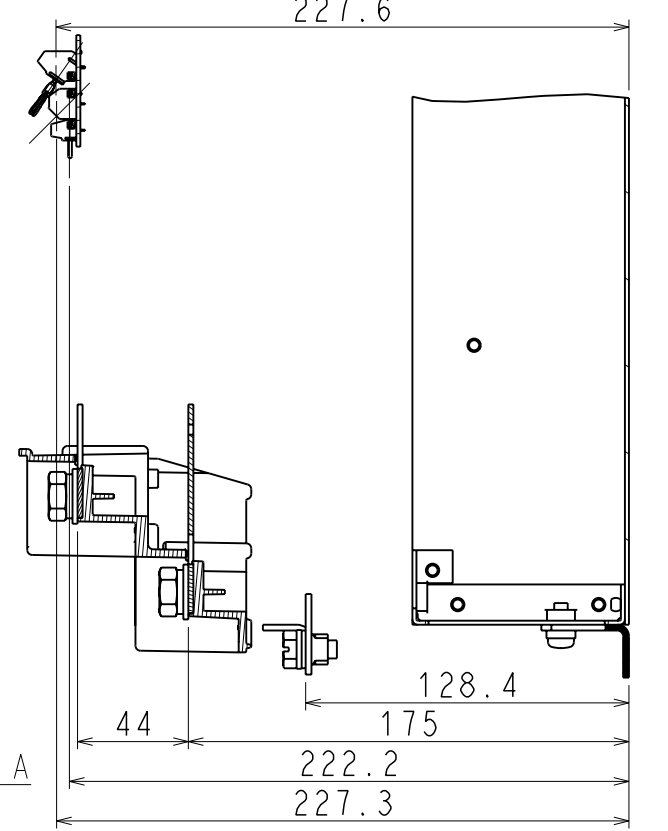
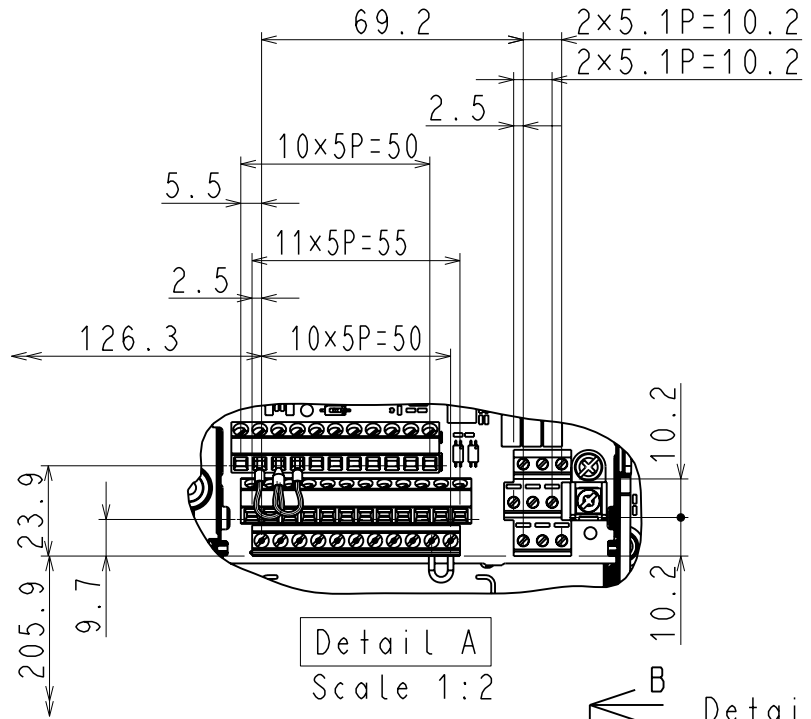
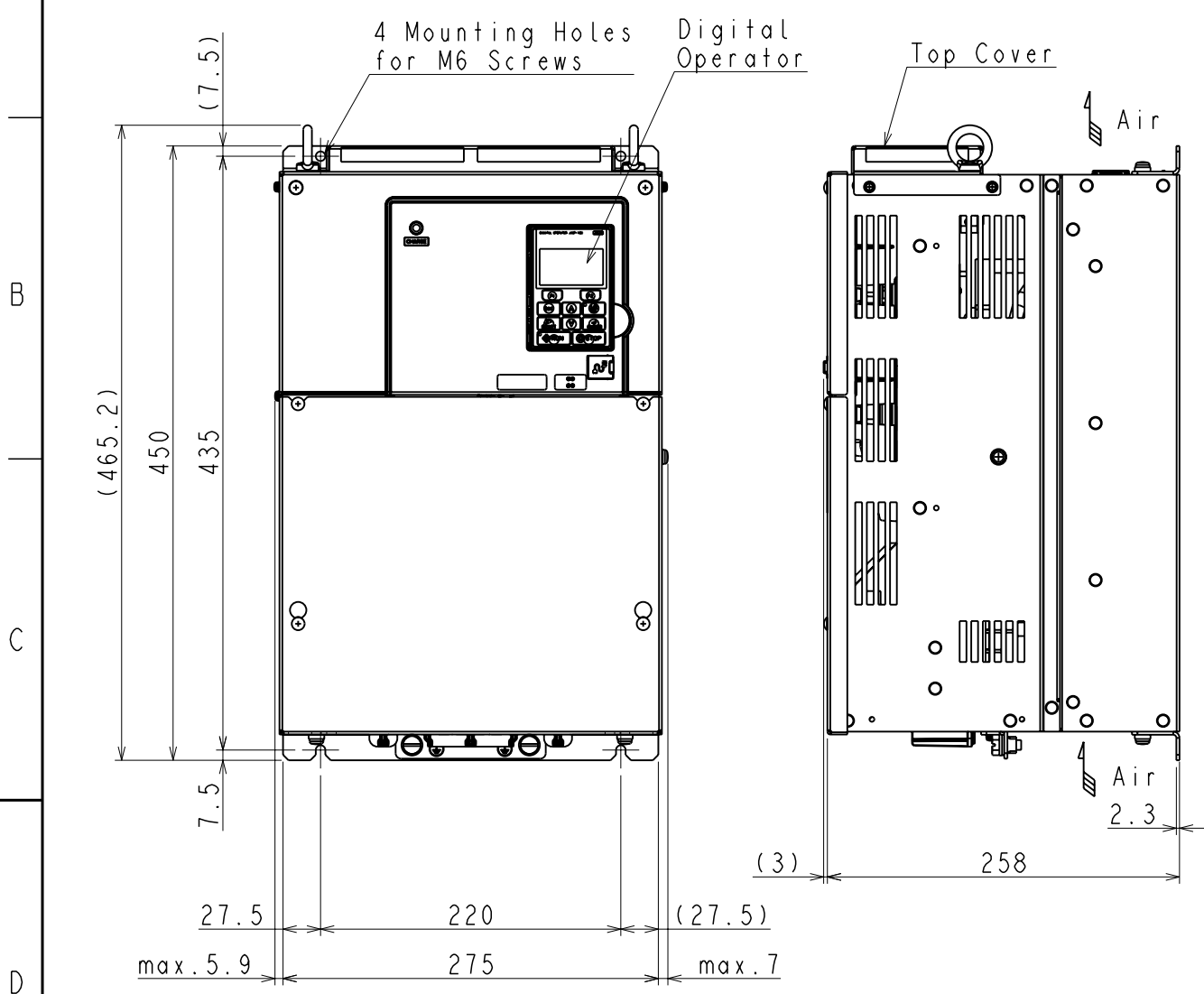


DWG.NO. EZZ902065-1/1

Model No.	Max Appli. Motor (kW)		Terminal Symbol			Cooling Fan	Mass (kg)			
	Normal Duty	Heavy Duty	INPUT OUTPUT (MOTOR)							
CIMR-LU2□0115D	-	30	R/L1	S/L2	T/L3	U/T1	V/T2	W/T3	2	25

Third Angle Projection  
Dimensions in mm



REVISIONS	SCALE - : -		DRAW. Nov.12.2013 M. Sameshima CHECK M. Kojyo APPR. M. Kojyo	TITLE L1000A OPEN CHASSIS TYPE DIMENSION DIAGRAM	DWG.NO. EZZ902065	1 1	REV. 1
-----------	-------------	--	--	---	-------------------	--------	--------